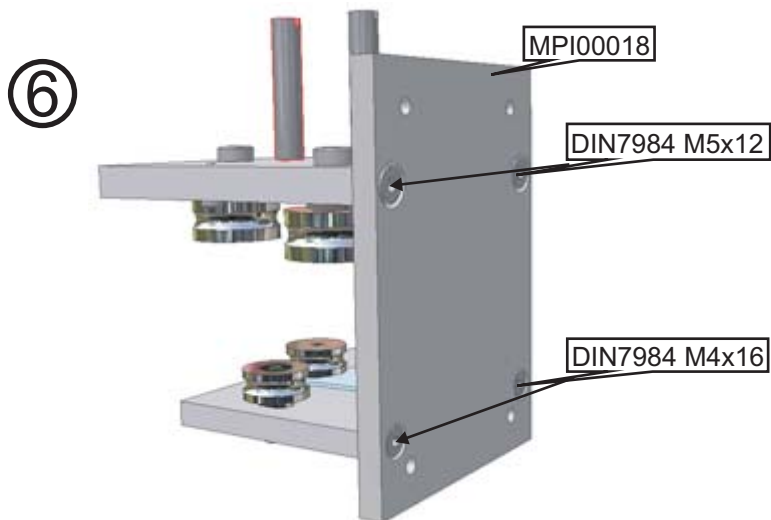
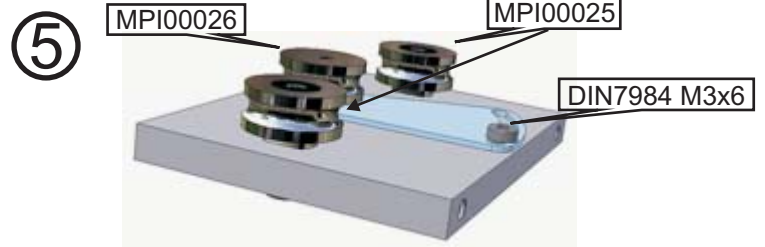
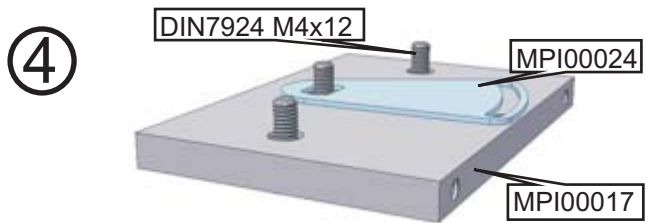
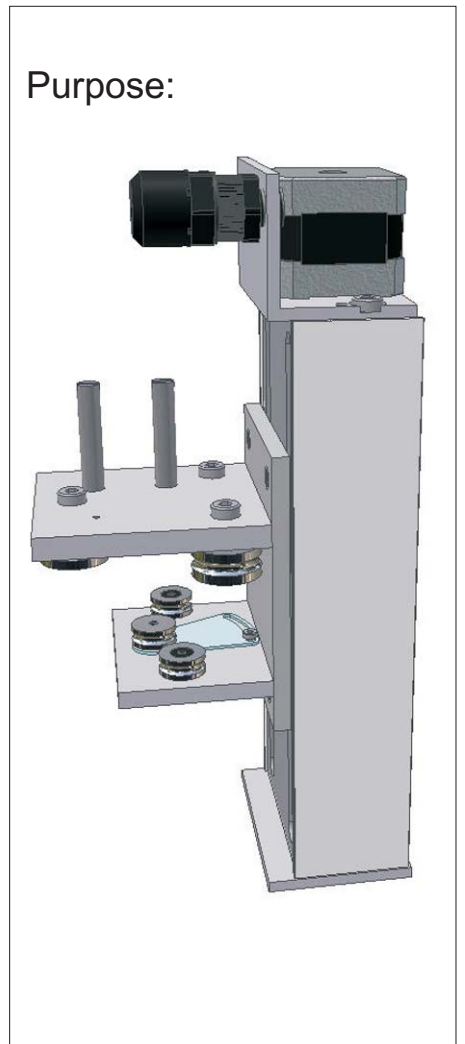
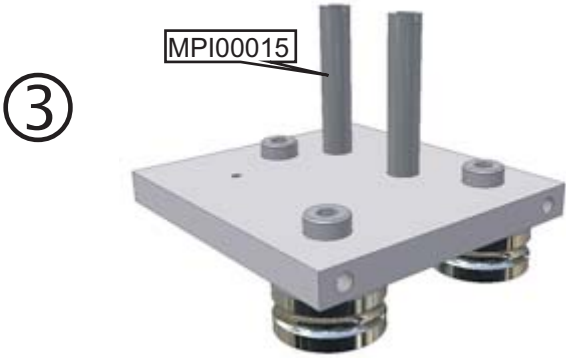
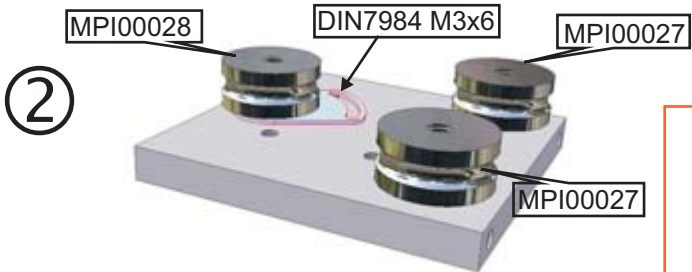
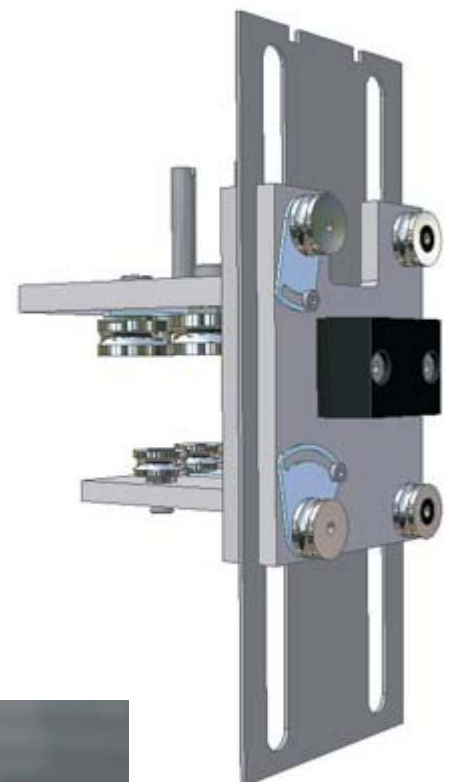
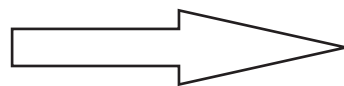
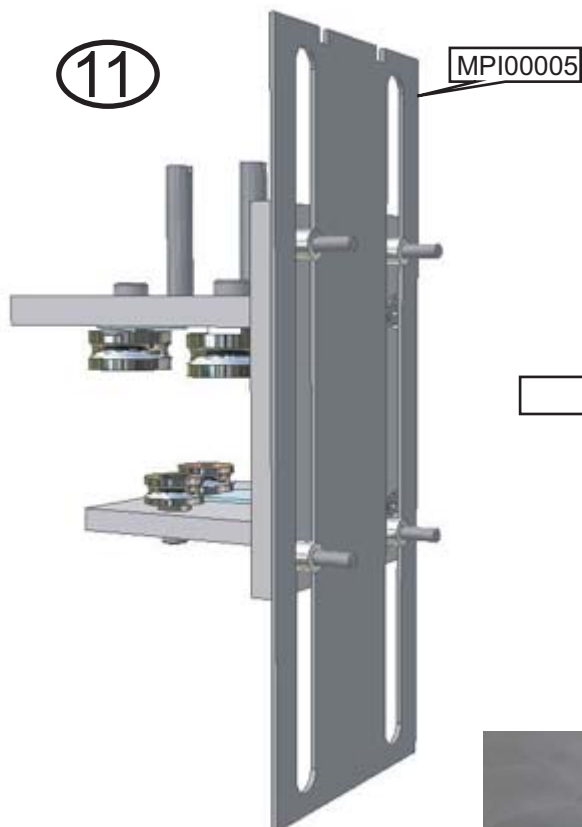
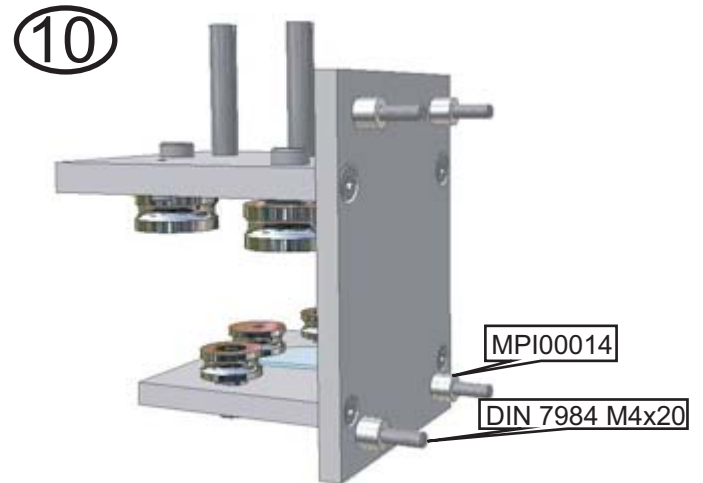
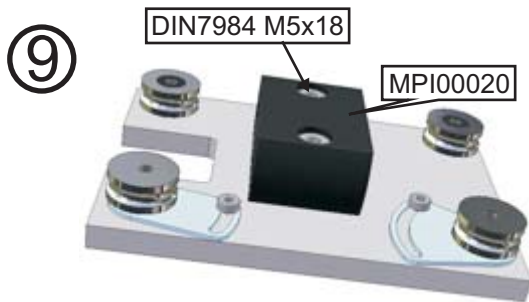
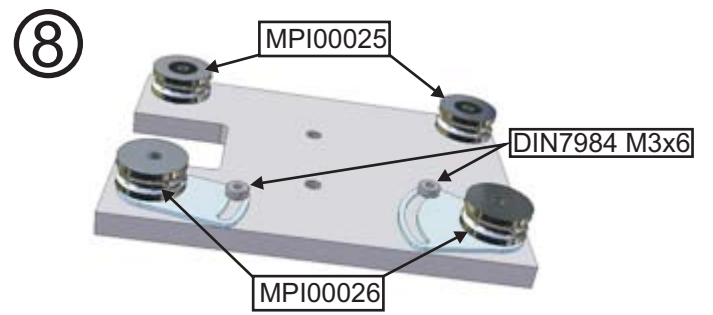
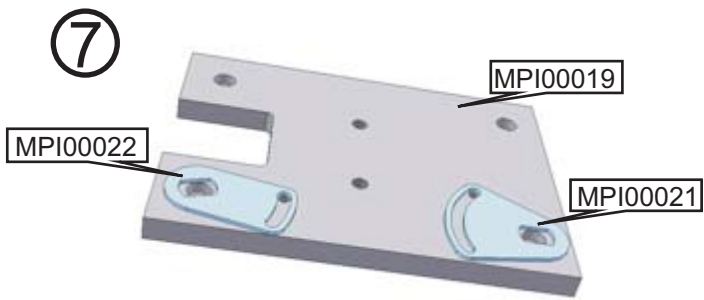


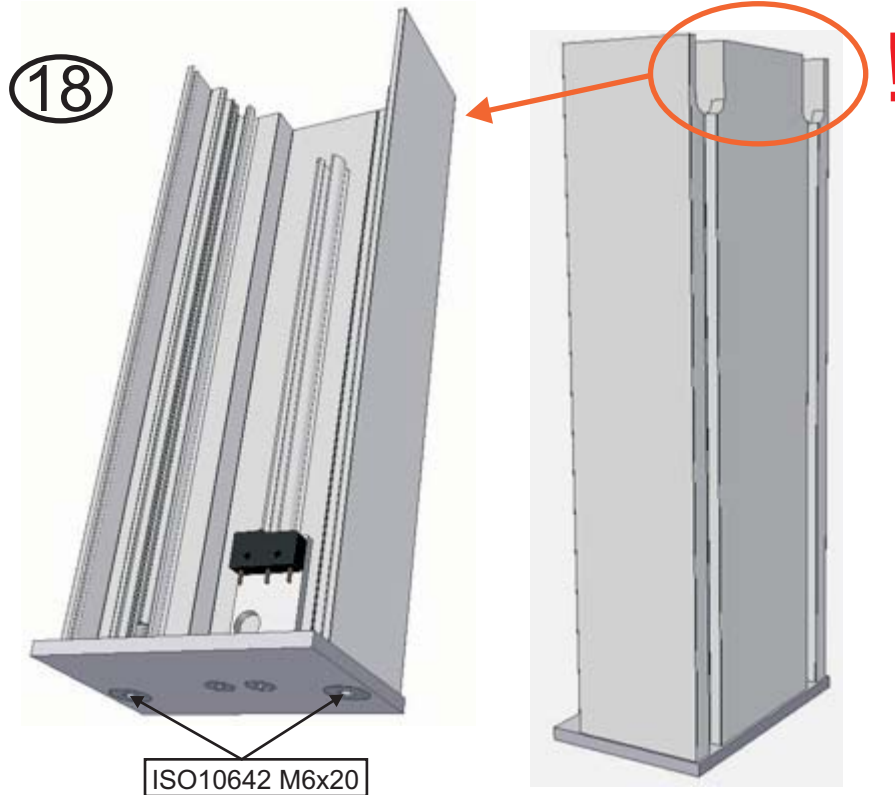
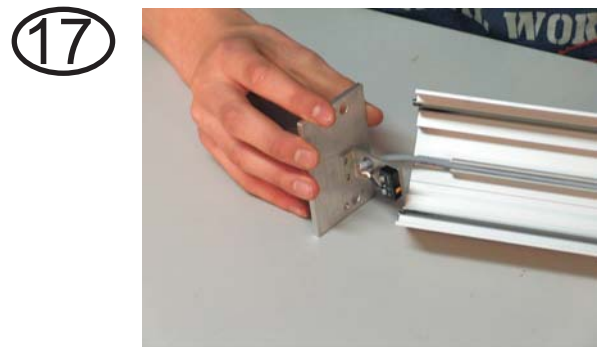
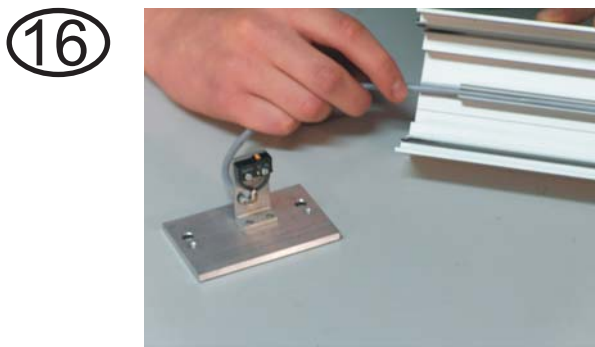
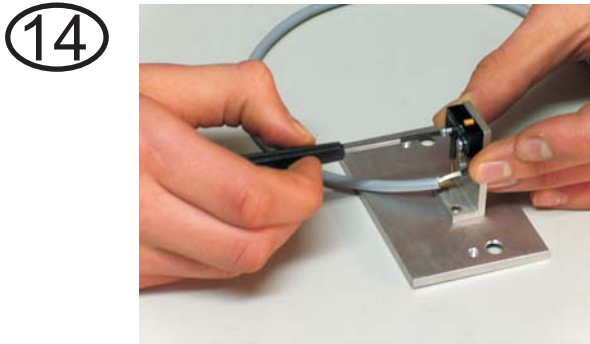
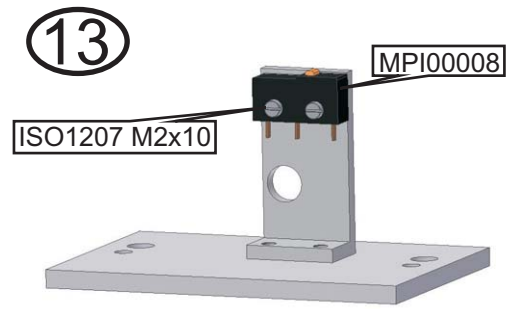
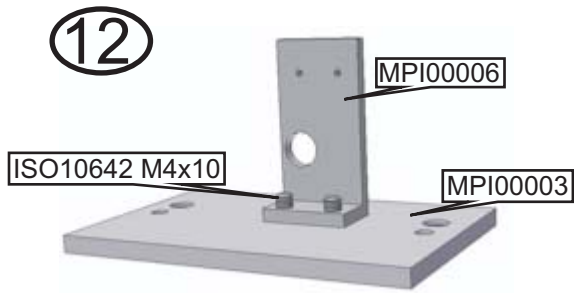
Z-axis assembly part 1



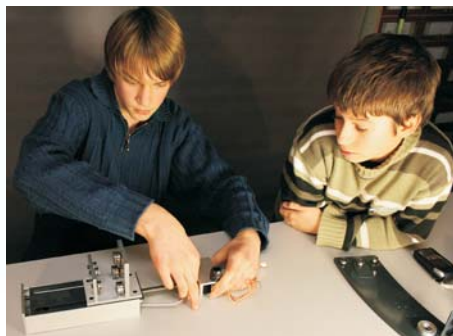
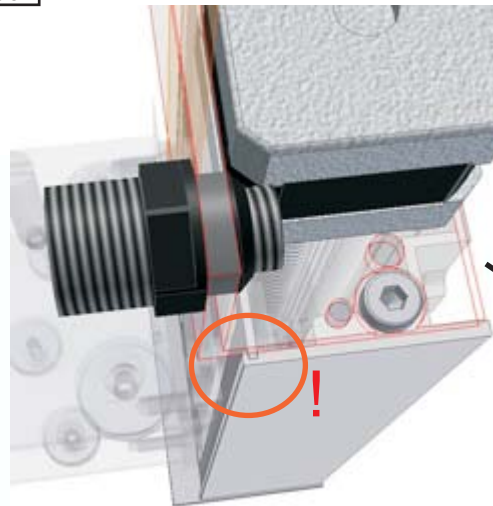
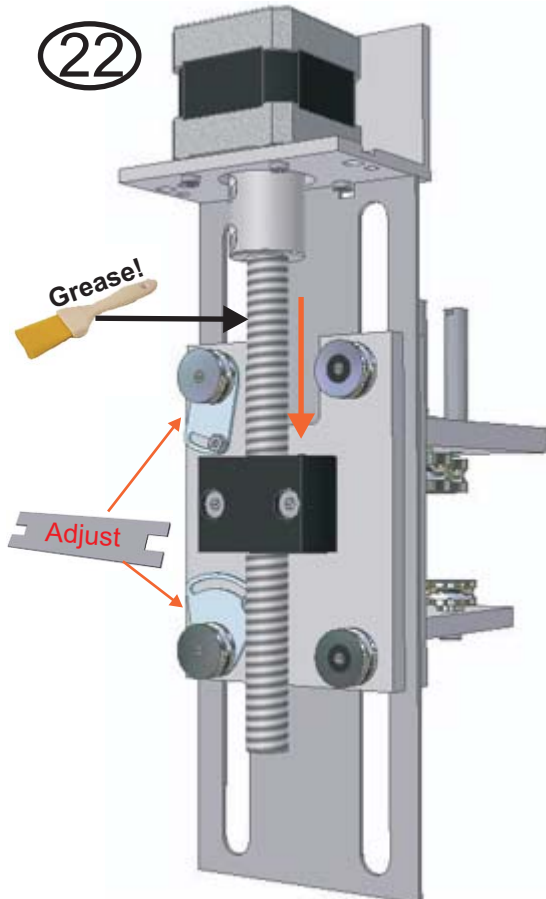
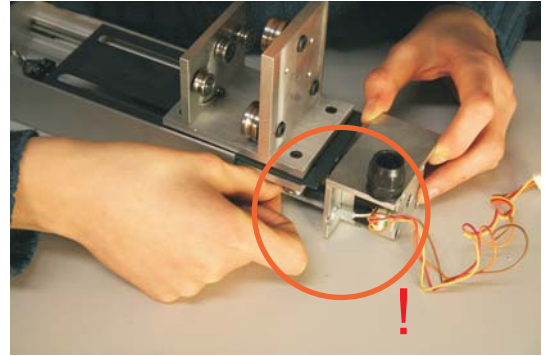
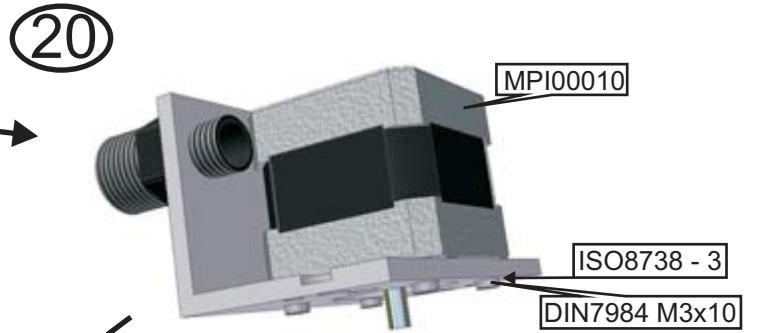
Z-axis assembly part 2



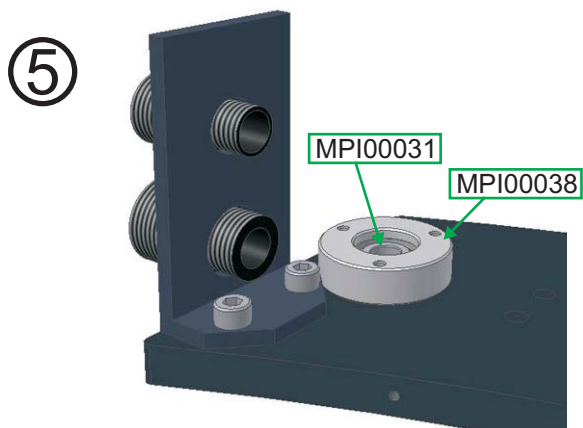
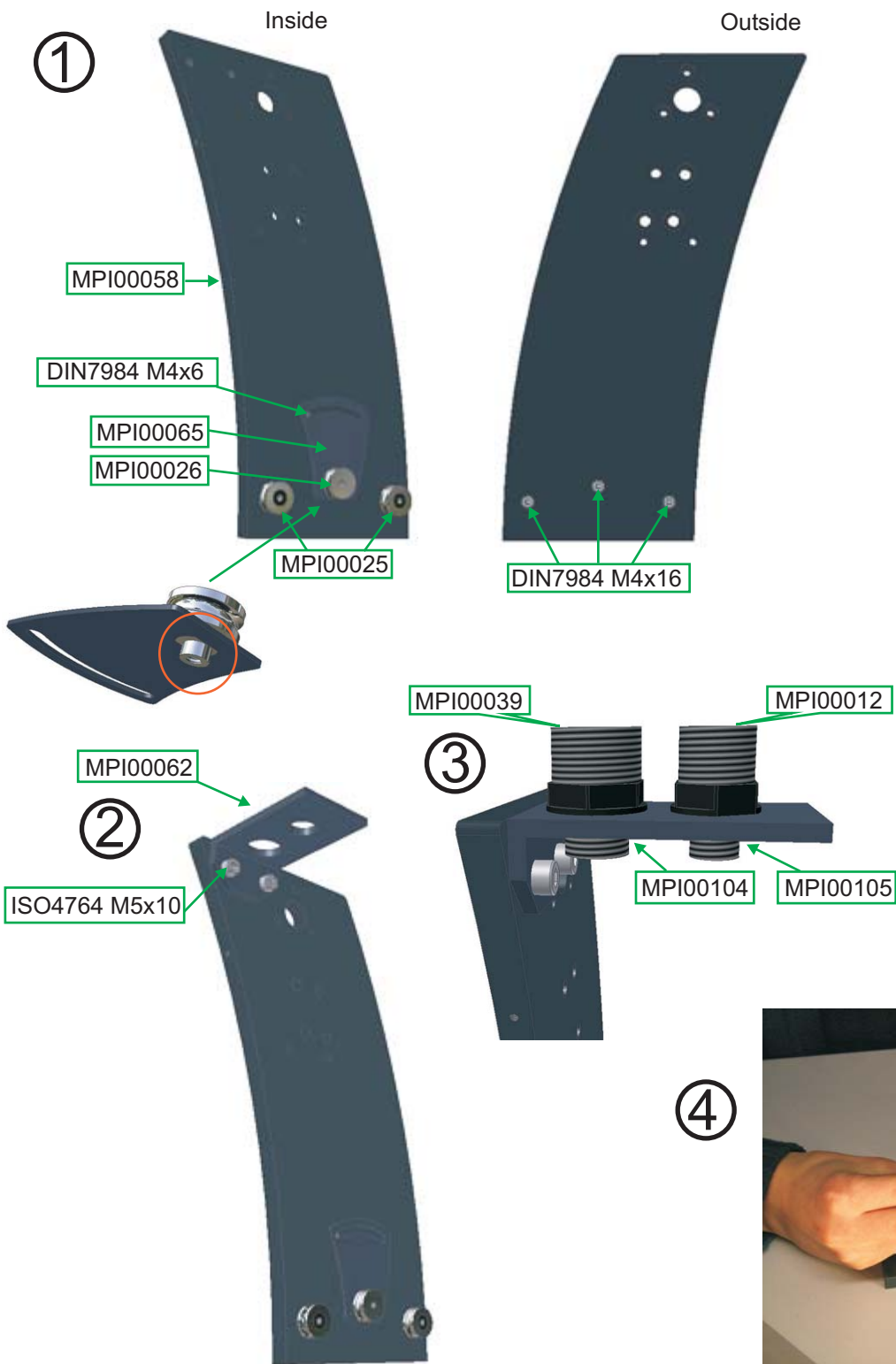
Z-axis assembly part 3



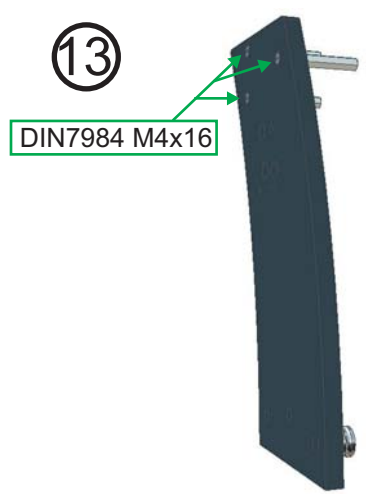
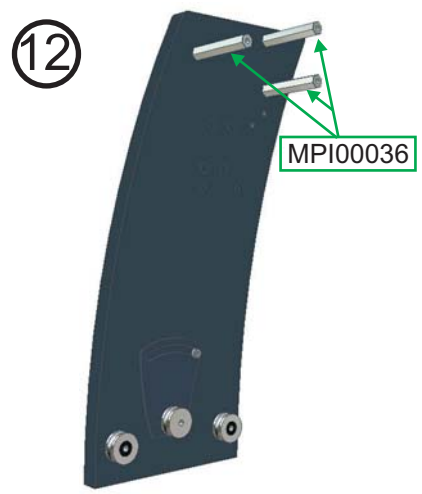
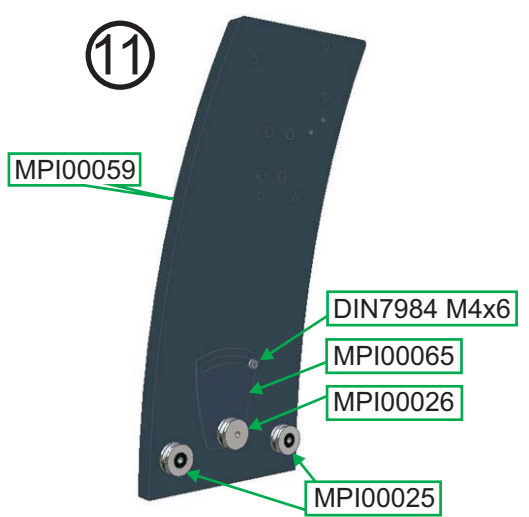
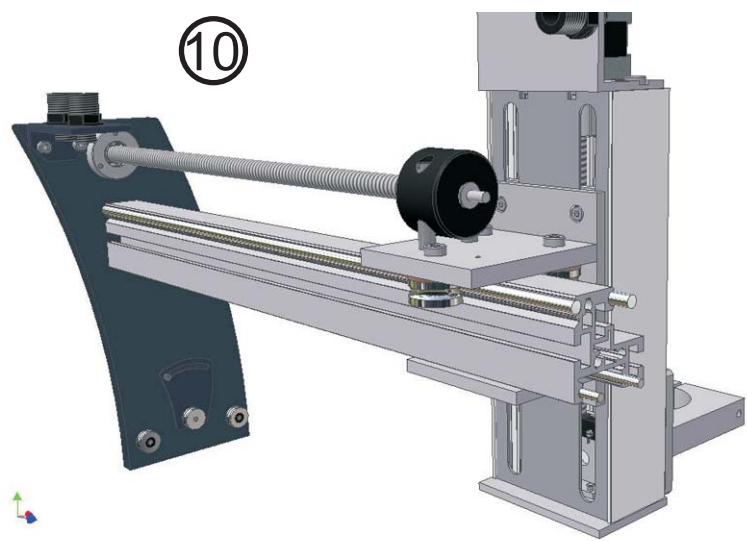
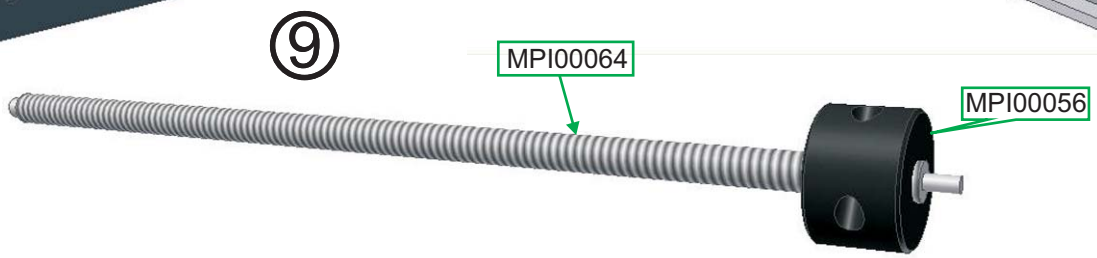
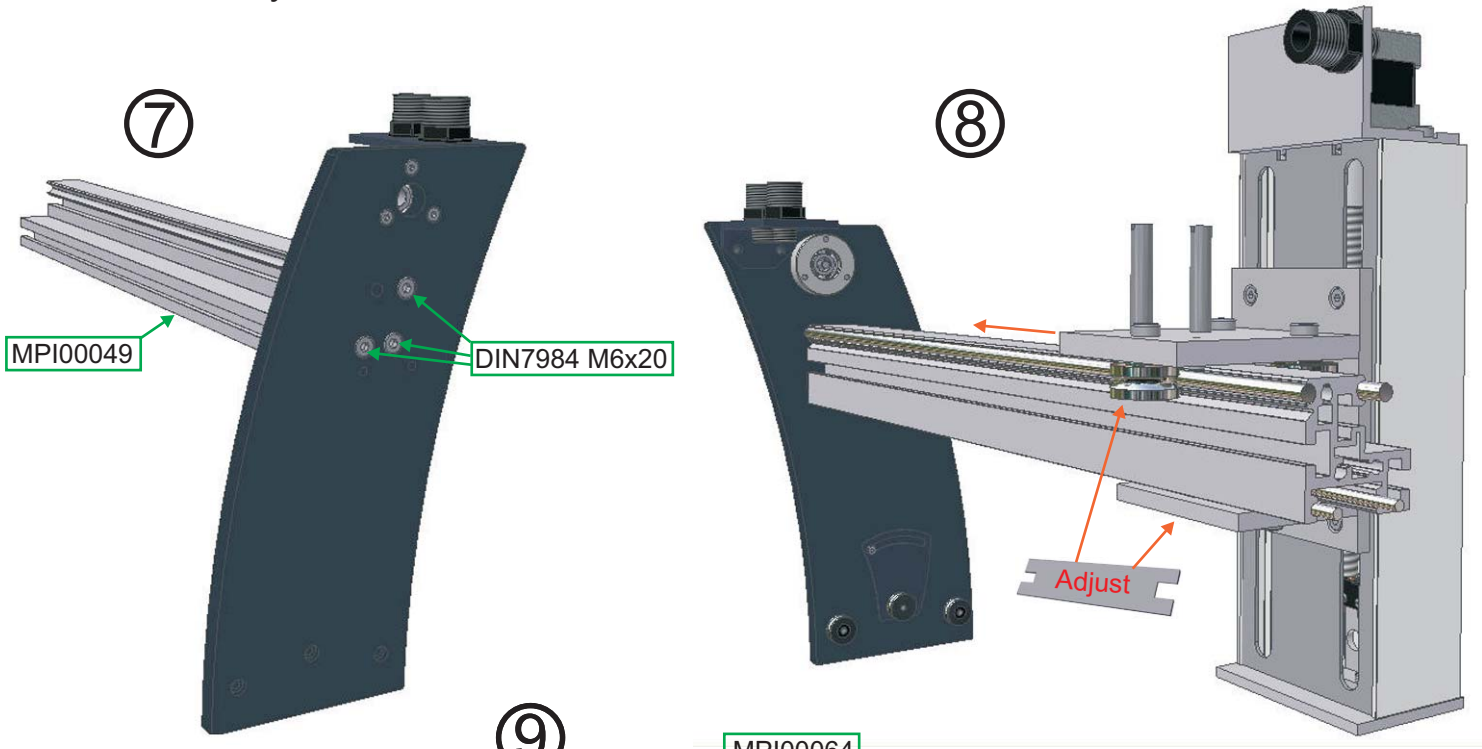
Z-axis assembly part 3



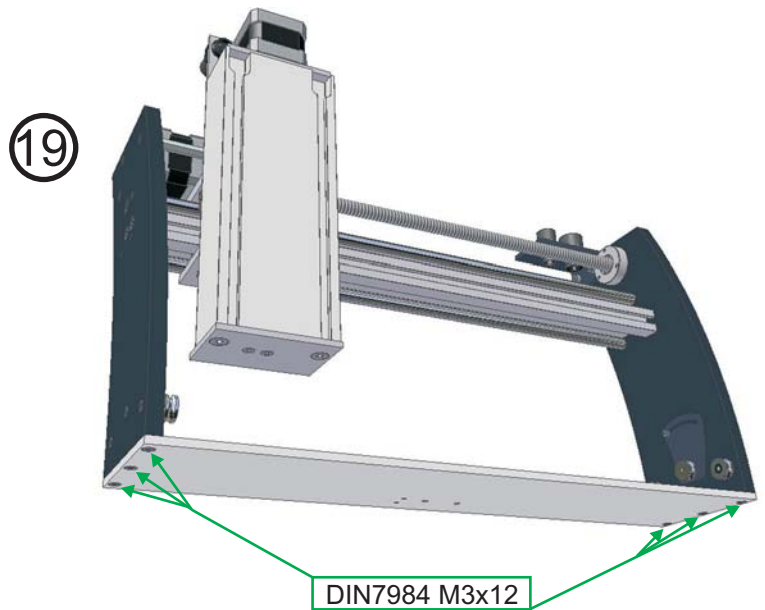
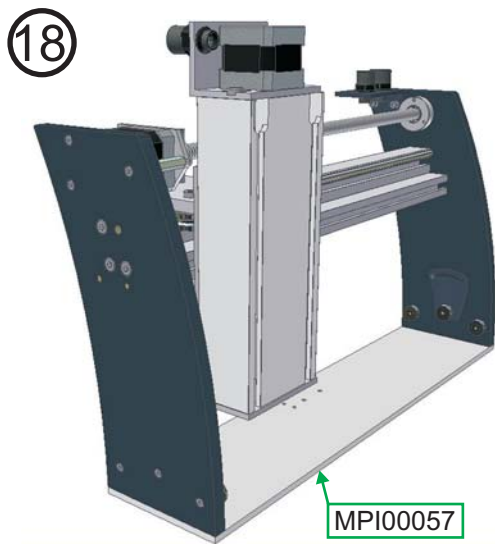
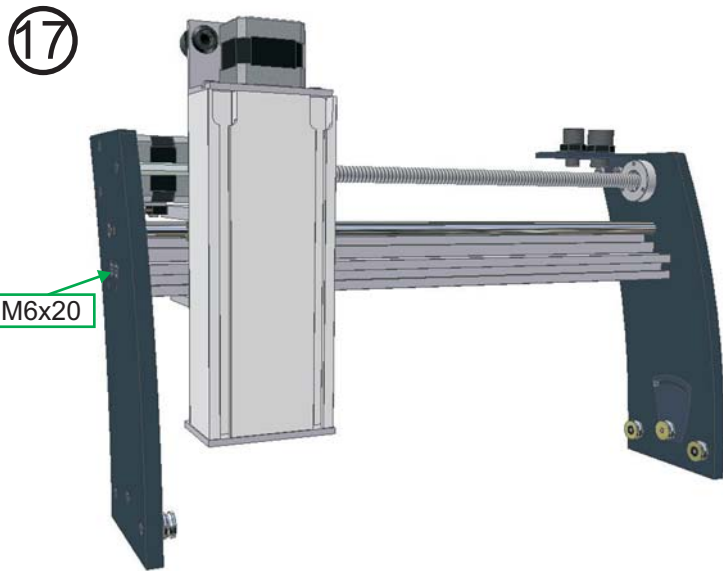
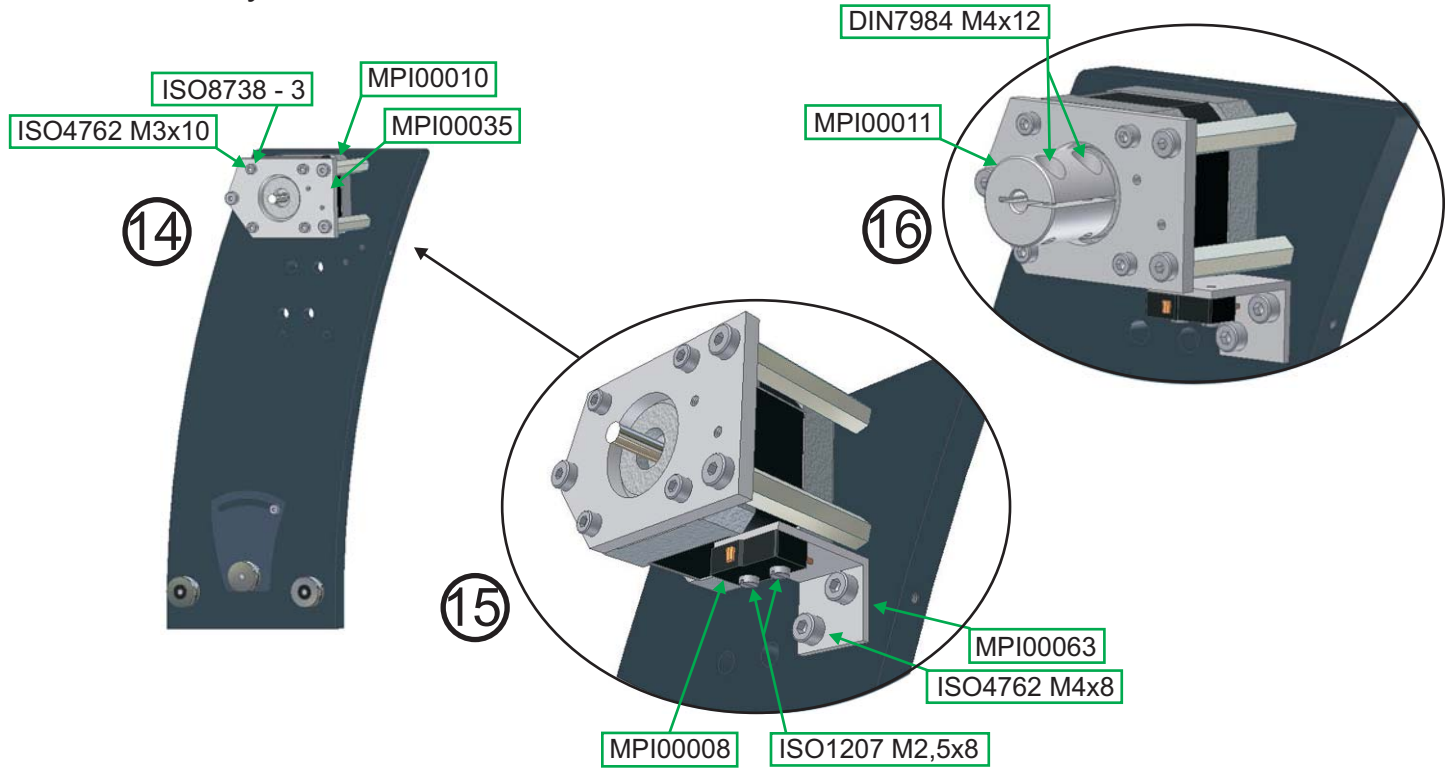
X-axis assembly



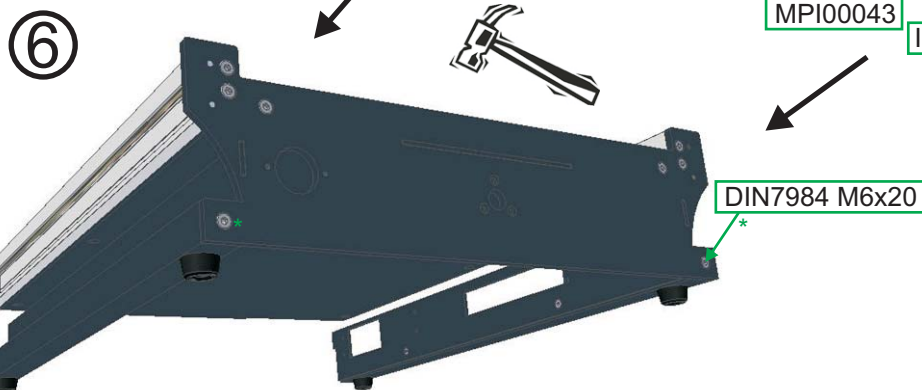
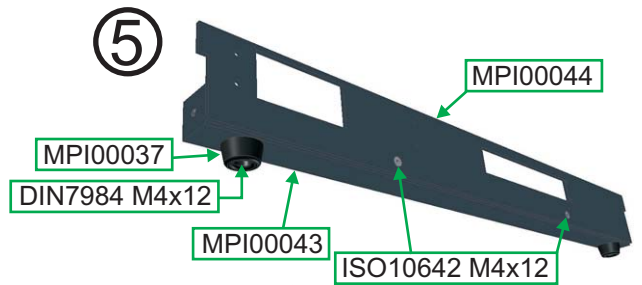
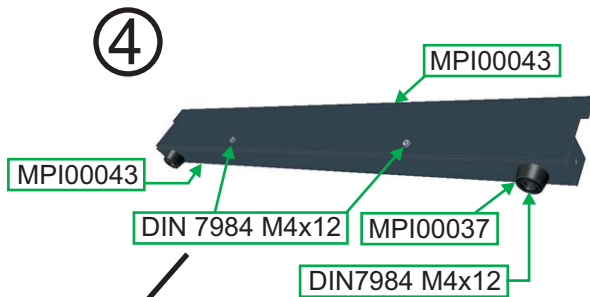
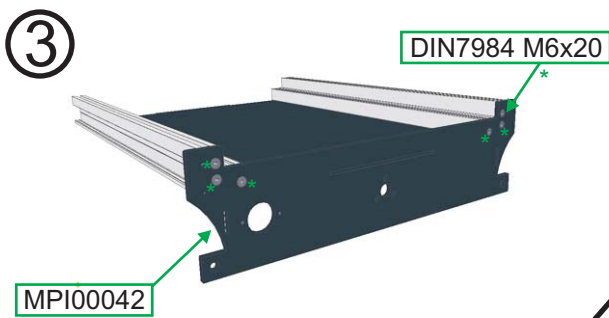
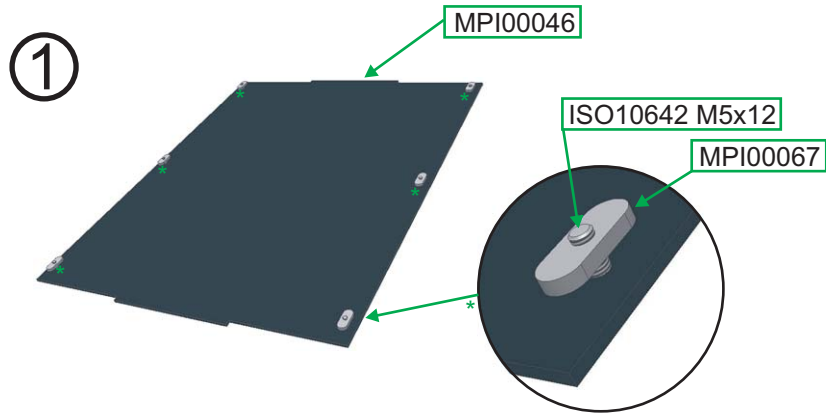
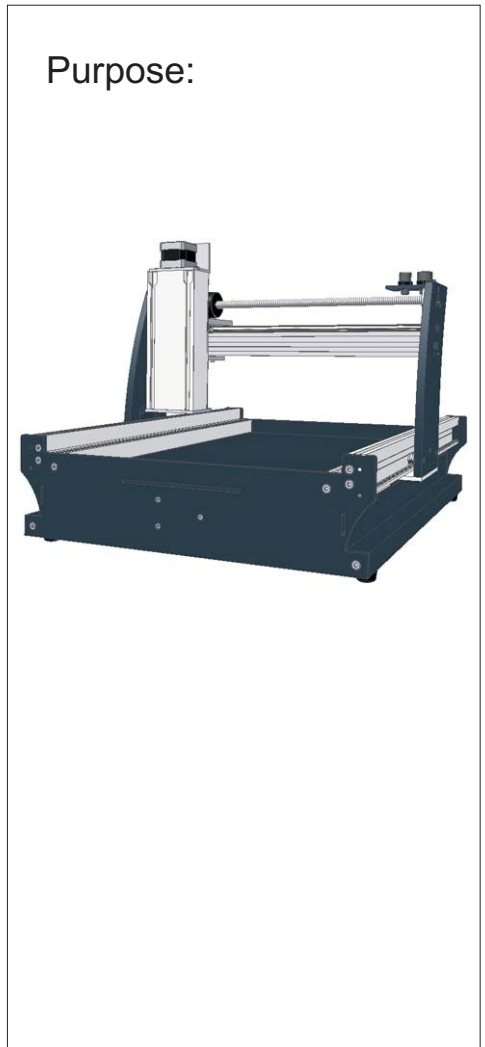
X-axis assembly



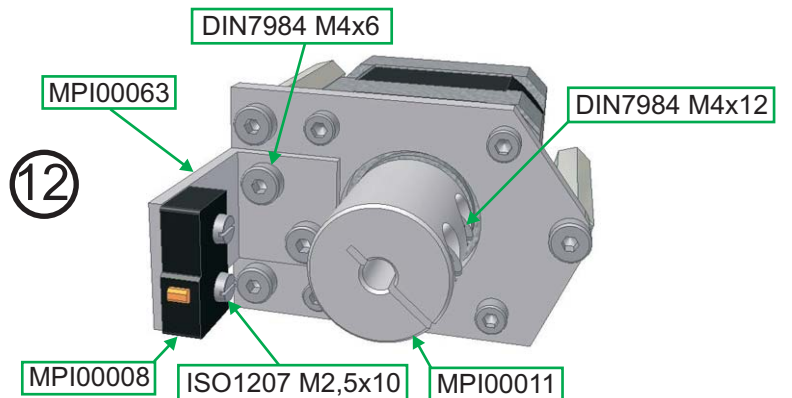
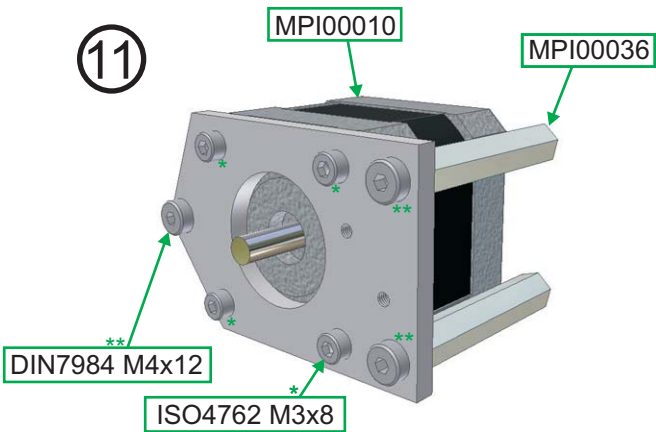
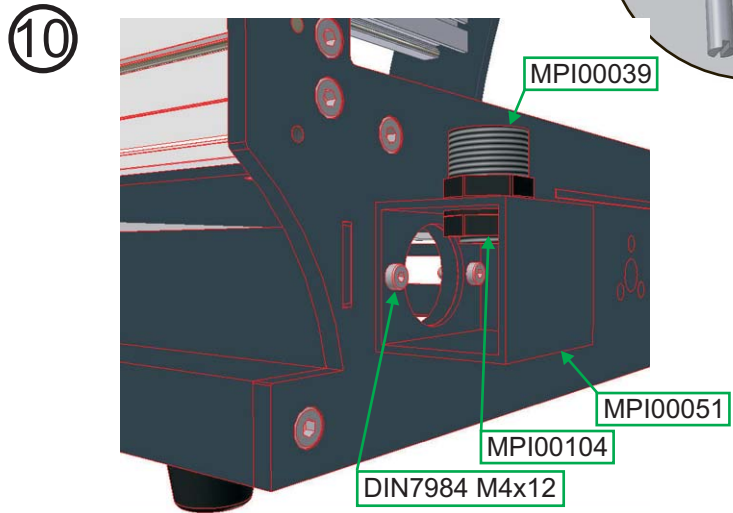
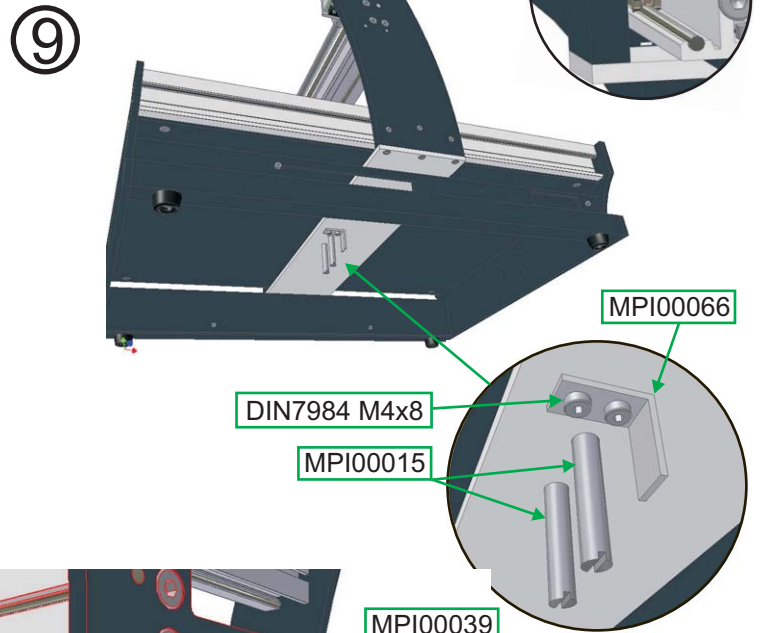
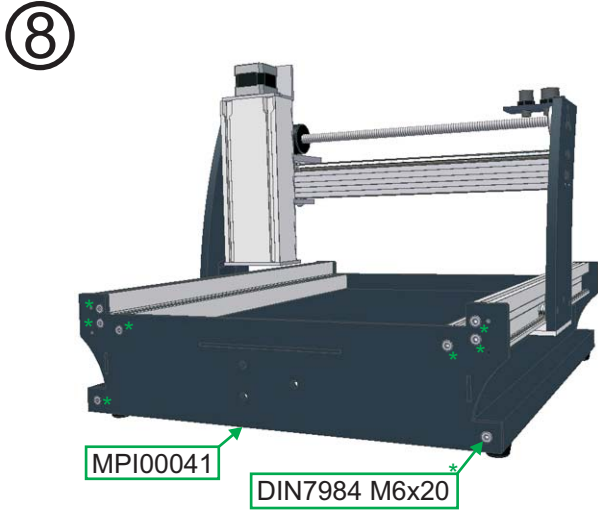
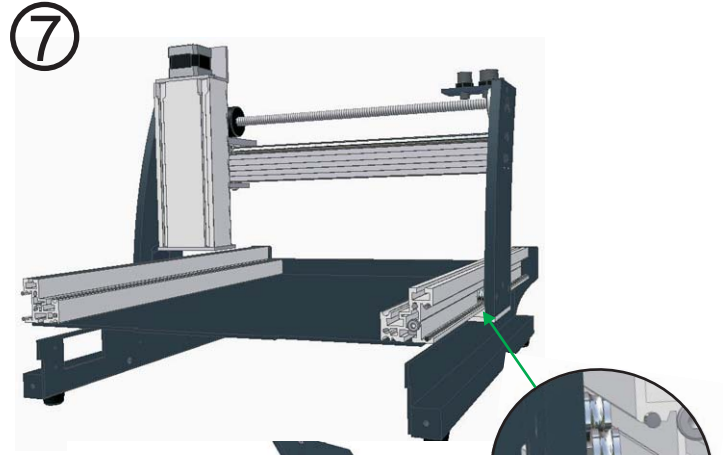
X-axis assembly



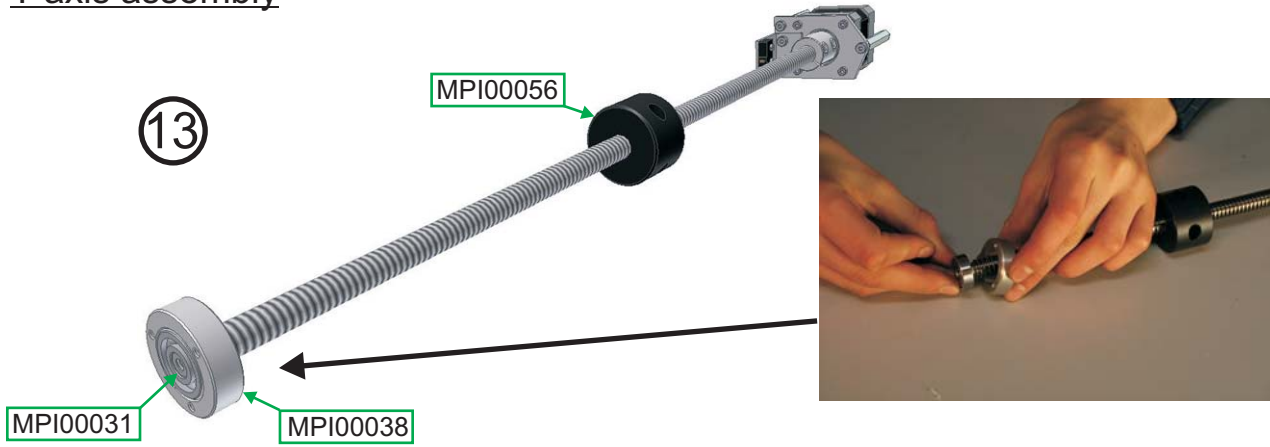
Y-axis assembly



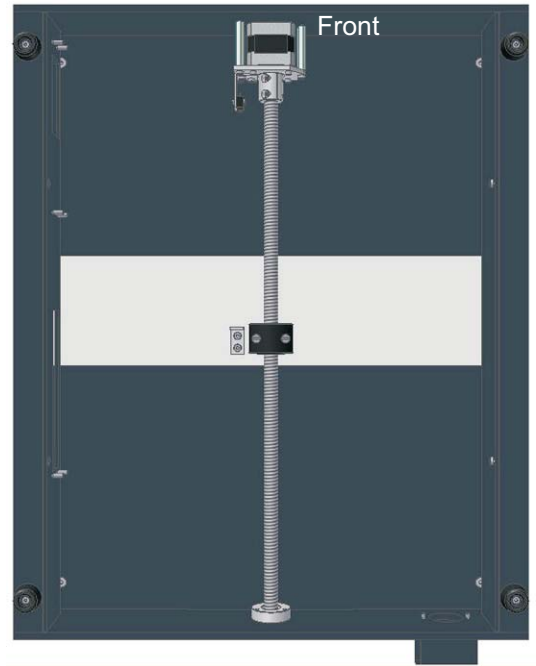
Y-axis assembly



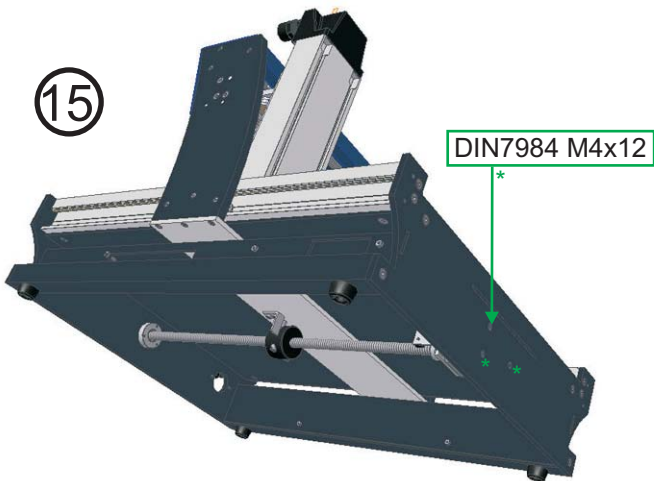
Y-axis assembly



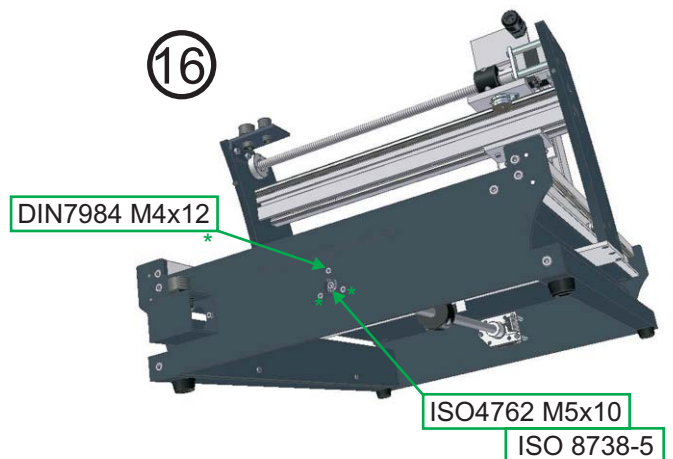
⑭



⑮



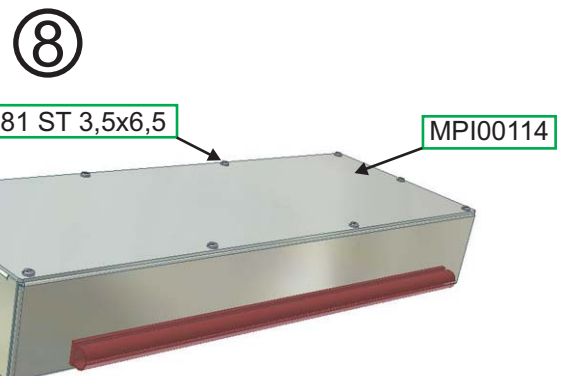
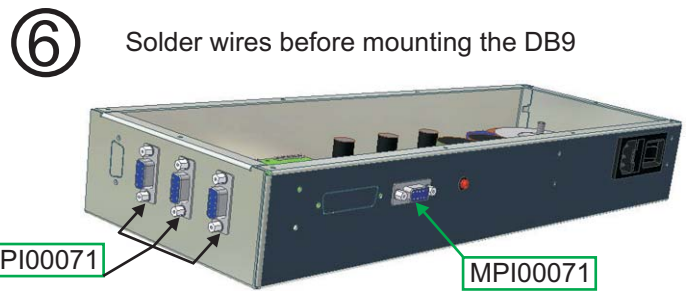
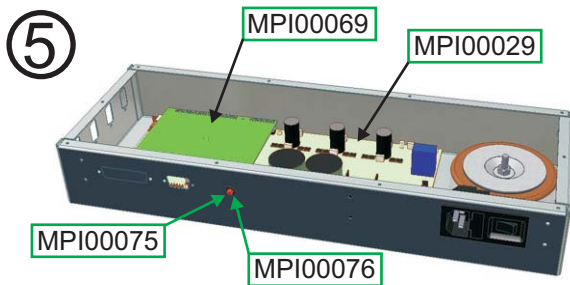
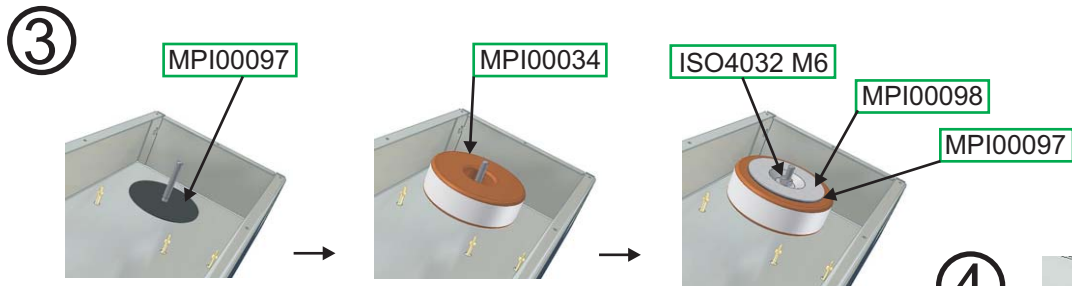
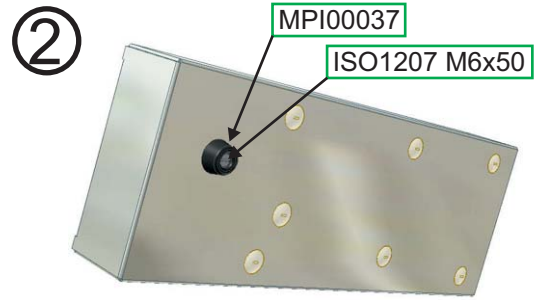
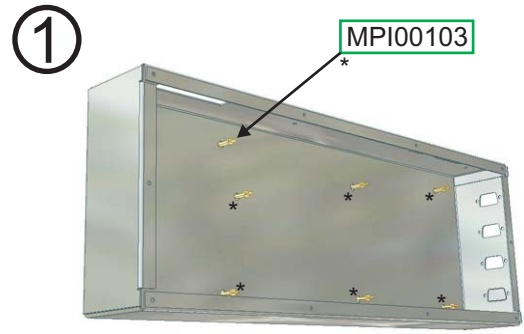
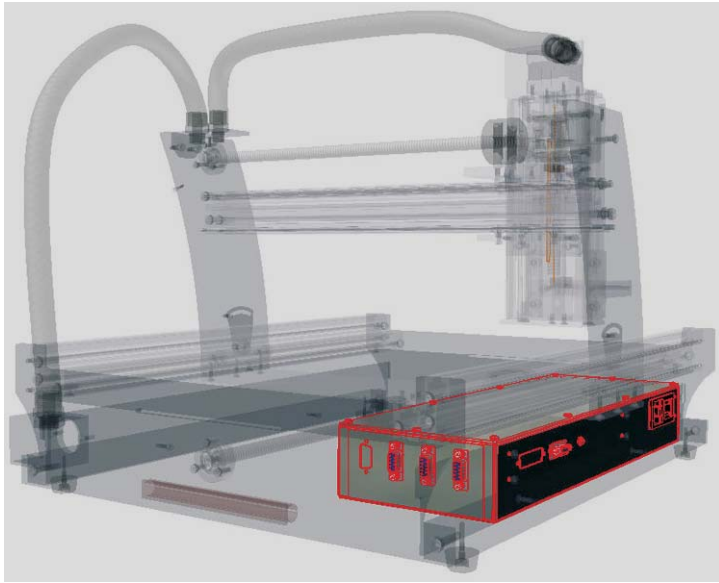
⑯



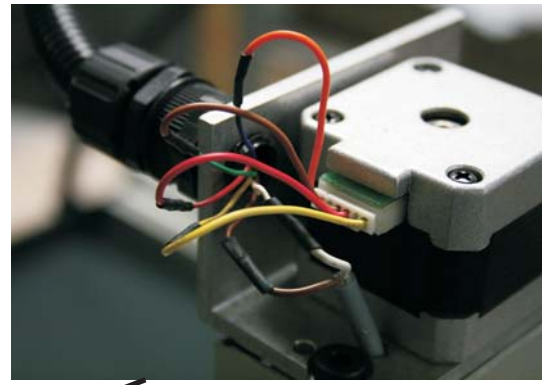
Download now "Electronic assembly" from:

www.colinbus.com/profiler.htm

Electronics - construction



Electronics - cabling



Cable for motor and micro switch Z-axis (6 cond.)
MPI00090

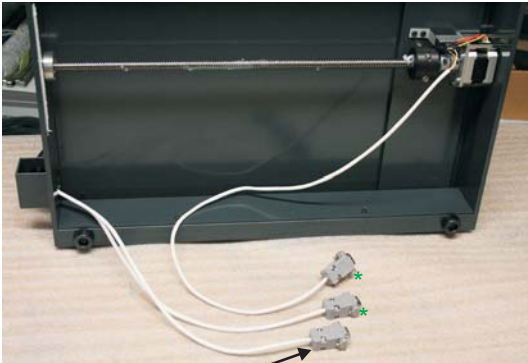
MPI00082

Cable for motor and micro switch X-axis (6 cond.)
MPI00090

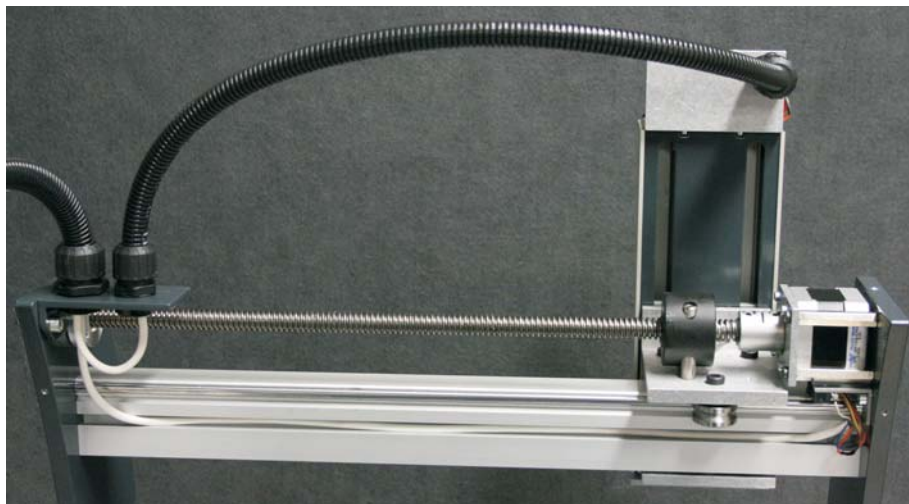
MPI00081

* DIN7984 M4x12

MPI00113



MPI00091
MPI00092 *



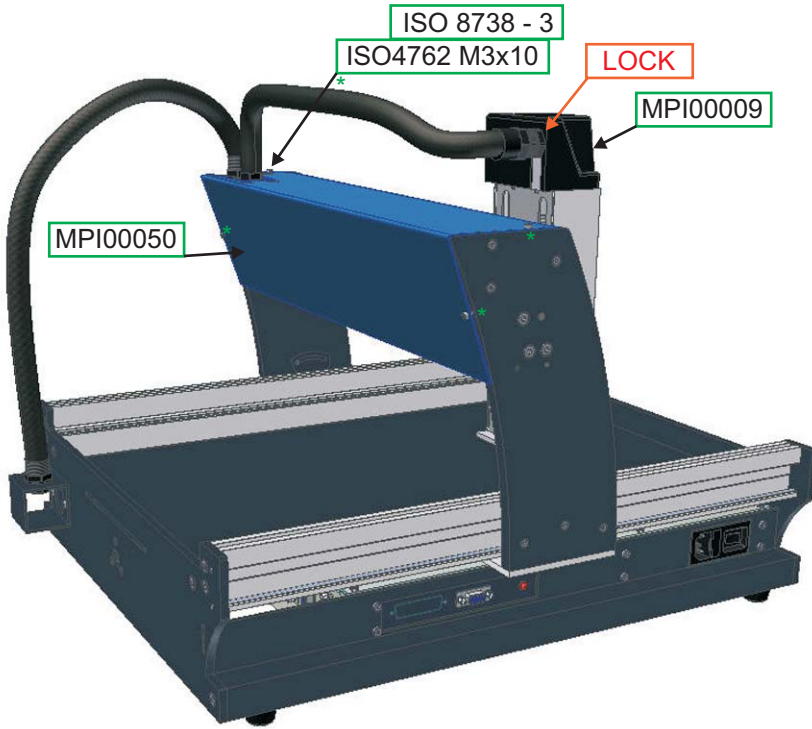
①



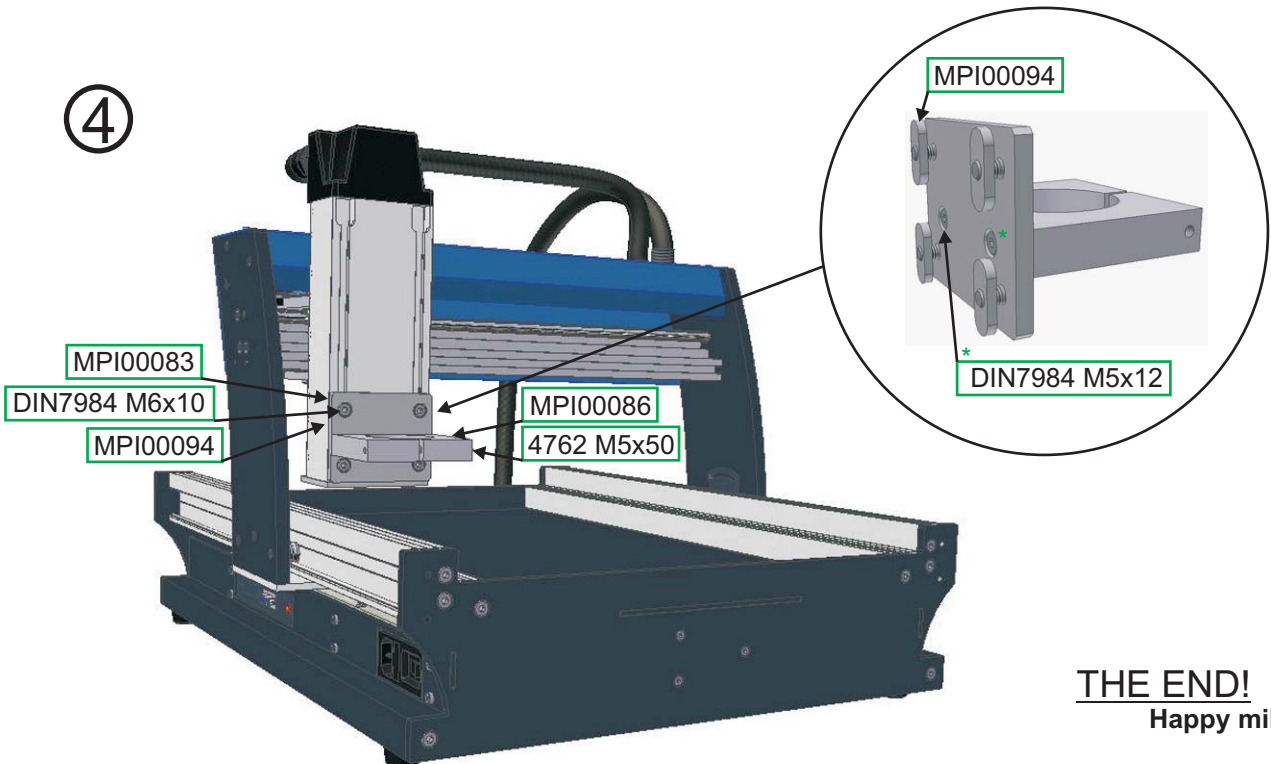
②



③



④



THE END!
Happy milling